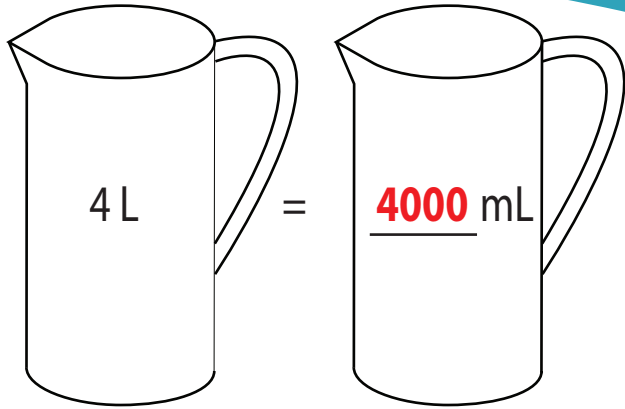
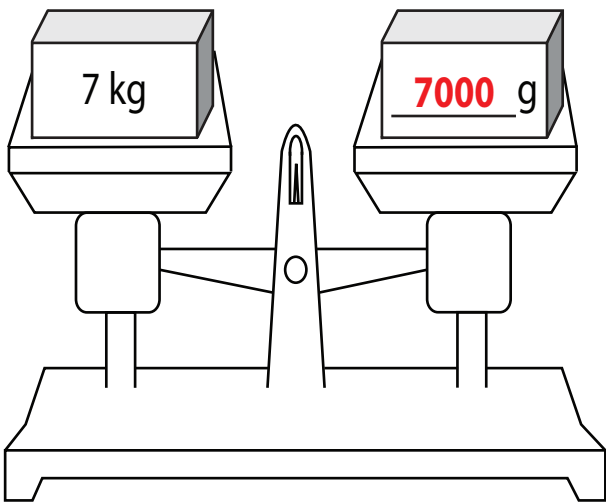
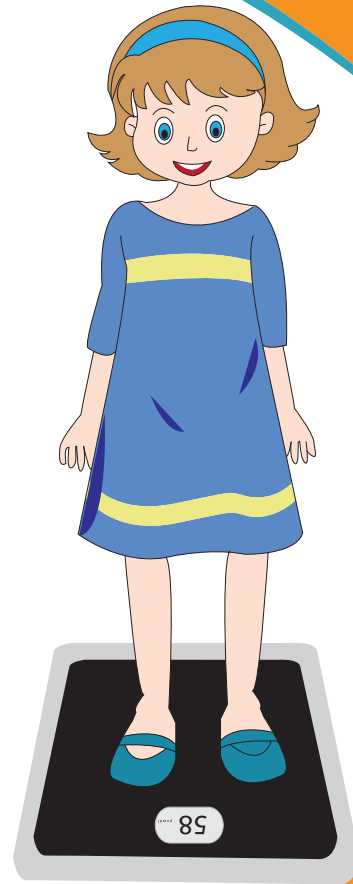


4th Grade

Unit Conversions



3 ft = 36 in	123 ft = 41 yd
--------------	----------------



U.S. Customary Unit Conversion - Length

Convert between inches (in) and feet (ft).

1) 3 ft = _____ in	2) 240 in = _____ ft
3) 672 in = _____ ft	4) 71 ft = _____ in
5) 66 ft = _____ in	6) 516 in = _____ ft

Convert between yards (yd) and feet (ft).

7) 16 yd = _____ ft	8) 123 ft = _____ yd
9) 35 yd = _____ ft	10) 66 ft = _____ yd
11) 162 ft = _____ yd	12) 78 yd = _____ ft

Convert between yards (yd) and inches (in).

13) 32 yd = _____ in	14) 468 in = _____ yd
15) 288 in = _____ yd	16) 19 yd = _____ in
17) 25 yd = _____ in	18) 360 in = _____ yd

U.S. Customary Unit Conversion - Length

Convert :

1) $38 \text{ ft} = \underline{\hspace{2cm}} \text{ in}$

2) $66 \text{ yd} = \underline{\hspace{2cm}} \text{ ft}$

3) $16 \text{ yd} = \underline{\hspace{2cm}} \text{ in}$

4) $564 \text{ in} = \underline{\hspace{2cm}} \text{ ft}$

5) $174 \text{ ft} = \underline{\hspace{2cm}} \text{ yd}$

6) $972 \text{ in} = \underline{\hspace{2cm}} \text{ yd}$

7) $672 \text{ in} = \underline{\hspace{2cm}} \text{ ft}$

8) $31 \text{ yd} = \underline{\hspace{2cm}} \text{ ft}$

9) $7 \text{ yd} = \underline{\hspace{2cm}} \text{ in}$

10) $25 \text{ ft} = \underline{\hspace{2cm}} \text{ in}$

11) $57 \text{ ft} = \underline{\hspace{2cm}} \text{ in}$

12) $504 \text{ in} = \underline{\hspace{2cm}} \text{ yd}$

13) $948 \text{ in} = \underline{\hspace{2cm}} \text{ ft}$

14) $46 \text{ yd} = \underline{\hspace{2cm}} \text{ ft}$

15) $5 \text{ yd} = \underline{\hspace{2cm}} \text{ in}$

16) $71 \text{ ft} = \underline{\hspace{2cm}} \text{ in}$

U.S. Customary Unit Conversion - Length

Convert between feet (ft) and yards (yd).

1) 3 ft = _____ yd	2) 4 yd = _____ ft
3) 22 yd = _____ ft	4) 24 ft = _____ yd
5) 48 ft = _____ yd	6) 33 yd = _____ ft

Convert between feet (ft) and miles (mi).

7) 79200 ft = _____ mi	8) 1 mi = _____ ft
9) 6 mi = _____ ft	10) 63360 ft = _____ mi
11) 11 mi = _____ ft	12) 42240 ft = _____ mi

Convert between yards (yd) and miles (mi).

13) 21120 yd = _____ mi	14) 6 mi = _____ yd
15) 16 mi = _____ yd	16) 5280 yd = _____ mi
17) 8800 yd = _____ mi	18) 18 mi = _____ yd

Pages 4 to 10 are available only for members.

Subscribe to unlock 200+ math
workbooks and 40,000+ worksheets
in all subjects.

Scroll down for additional free pages.

Length - Metric Unit Conversion

Convert between centimeters (cm) and millimeters (mm).

1) 12.7 cm = _____ mm	2) 54.54 mm = _____ cm
3) 710 mm = _____ cm	4) 94.2 cm = _____ mm
5) 47.68 cm = _____ mm	6) 653.6 mm = _____ cm

Convert between meters (m) and centimeters (cm).

7) 5900 cm = _____ m	8) 1450 cm = _____ m
9) 64.71 m = _____ cm	10) 36.32 m = _____ cm
11) 7630 cm = _____ m	12) 25.4 m = _____ cm

Convert between kilometers (km) and meters (m).

13) 21 km = _____ m	14) 19781 m = _____ km
15) 69580 m = _____ km	16) 78.32 km = _____ m
17) 9.5 km = _____ m	18) 41300 m = _____ km

Metric Unit Conversion - Length

Convert :

1) $52.174 \text{ cm} = \underline{\hspace{2cm}} \text{ mm}$

2) $81.66 \text{ m} = \underline{\hspace{2cm}} \text{ cm}$

3) $93.6 \text{ cm} = \underline{\hspace{2cm}} \text{ dm}$

4) $416.8 \text{ hm} = \underline{\hspace{2cm}} \text{ km}$

5) $28 \text{ dm} = \underline{\hspace{2cm}} \text{ m}$

6) $55.7 \text{ m} = \underline{\hspace{2cm}} \text{ dam}$

7) $38.68 \text{ dm} = \underline{\hspace{2cm}} \text{ mm}$

8) $8.94 \text{ km} = \underline{\hspace{2cm}} \text{ hm}$

9) $68.20 \text{ dam} = \underline{\hspace{2cm}} \text{ dm}$

10) $7150 \text{ cm} = \underline{\hspace{2cm}} \text{ m}$

11) $19.8 \text{ m} = \underline{\hspace{2cm}} \text{ dm}$

12) $880 \text{ dam} = \underline{\hspace{2cm}} \text{ hm}$

13) $63.71 \text{ km} = \underline{\hspace{2cm}} \text{ dam}$

14) $42.33 \text{ hm} = \underline{\hspace{2cm}} \text{ m}$

15) $90.9 \text{ dm} = \underline{\hspace{2cm}} \text{ m}$

16) $17550 \text{ m} = \underline{\hspace{2cm}} \text{ km}$

Metric Unit Conversion - Mass

Convert :

1) $17 \text{ cg} = \underline{\hspace{2cm}} \text{ mg}$

2) $44.3 \text{ g} = \underline{\hspace{2cm}} \text{ cg}$

3) $28.475 \text{ cg} = \underline{\hspace{2cm}} \text{ dg}$

4) $6.471 \text{ hg} = \underline{\hspace{2cm}} \text{ kg}$

5) $816 \text{ dg} = \underline{\hspace{2cm}} \text{ g}$

6) $560 \text{ g} = \underline{\hspace{2cm}} \text{ dag}$

7) $71.5 \text{ dg} = \underline{\hspace{2cm}} \text{ mg}$

8) $63.71 \text{ kg} = \underline{\hspace{2cm}} \text{ t}$

9) $32.32 \text{ dag} = \underline{\hspace{2cm}} \text{ dg}$

10) $93.6 \text{ cg} = \underline{\hspace{2cm}} \text{ g}$

11) $19.78 \text{ g} = \underline{\hspace{2cm}} \text{ dg}$

12) $880 \text{ dag} = \underline{\hspace{2cm}} \text{ hg}$

13) $63.71 \text{ kg} = \underline{\hspace{2cm}} \text{ dag}$

14) $42.33 \text{ hg} = \underline{\hspace{2cm}} \text{ g}$

15) $90.9 \text{ dg} = \underline{\hspace{2cm}} \text{ g}$

16) $17550 \text{ g} = \underline{\hspace{2cm}} \text{ kg}$

Metric Unit Conversion - Capacity

Convert :

1) 487 cL = _____ mL

2) 92.35 L = _____ cL

3) 71.9 cL = _____ dL

4) 33.32 hL = _____ kL

5) 285 dL = _____ L

6) 5.57 L = _____ daL

7) 57.38 dL = _____ mL

8) 894 kL = _____ hL

9) 68.201 daL = _____ dL

10) 7100 cL = _____ L

11) 193.3 L = _____ dL

12) 880 daL = _____ hL

13) 63.71 kL = _____ daL

14) 91.55 hL = _____ L

15) 1722 dL = _____ L

16) 4203 L = _____ kL