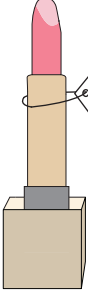


What is Your Change?

You pay £1 for each item. Show the change you receive, with minimum number of coins.


1)  **58p**

_____ 10 pence coins

_____ 5 pence coins

_____ 2 pence coins

_____ 1 penny coins

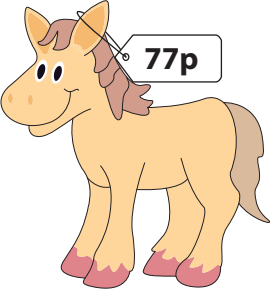
2)  **55p**

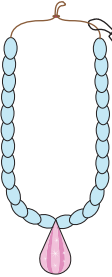
_____ 20 pence coins

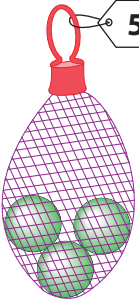
_____ 10 pence coins

_____ 2 pence coins

_____ 1 penny coins

3)  **77p**

5)  **42p**

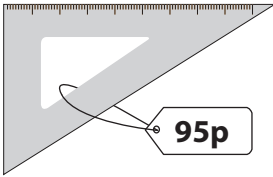
7)  **57p**

_____ 50 pence coins

_____ 10 pence coins

_____ 2 pence coins

_____ 1 penny coins

8)  **95p**

_____ 20 pence coins

_____ 10 pence coins

_____ 2 pence coins

_____ 1 penny coins

PREVIEW

Gain complete access to the largest collection of worksheets in all subjects!

Members, please log in to download this worksheet.

Not a member? Please sign up to gain complete access.

www.mathworksheets4kids.com

_____ 50 pence coins

_____ 10 pence coins

_____ 2 pence coins

_____ 1 penny coins

_____ 20 pence coins

_____ 10 pence coins

_____ 5 pence coins

_____ 2 pence coins